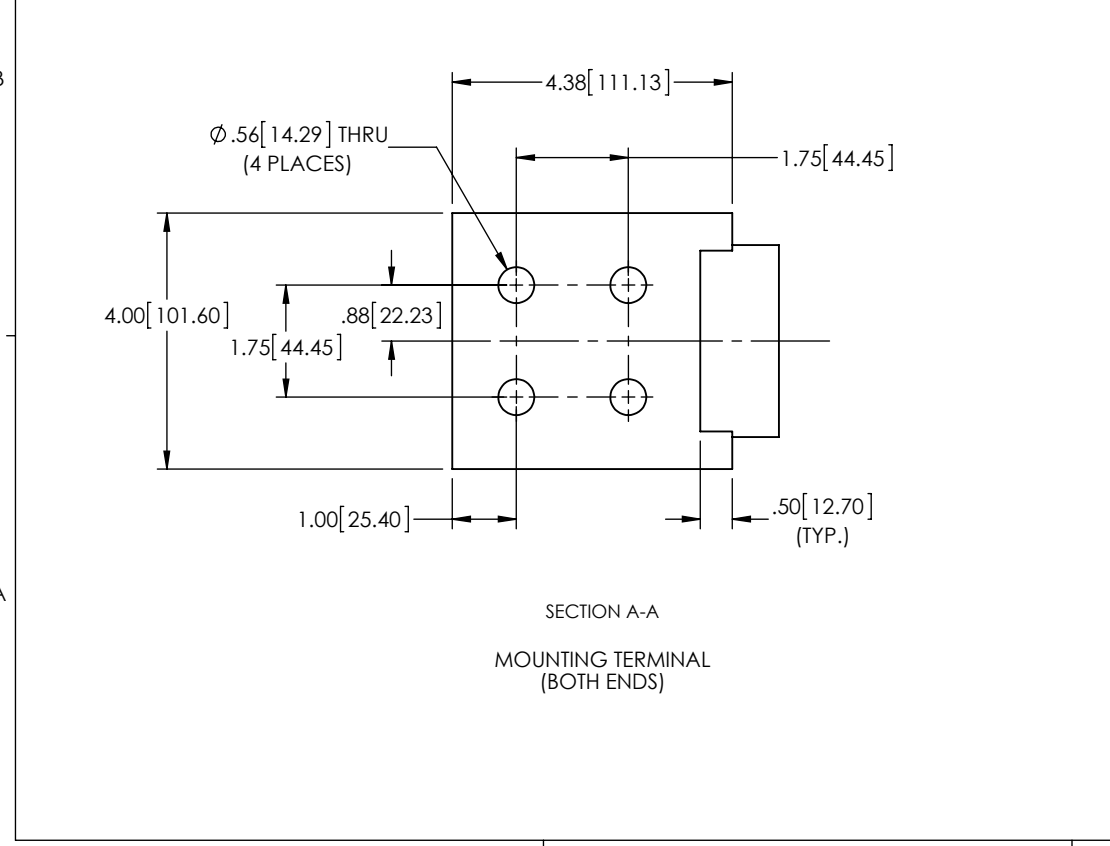
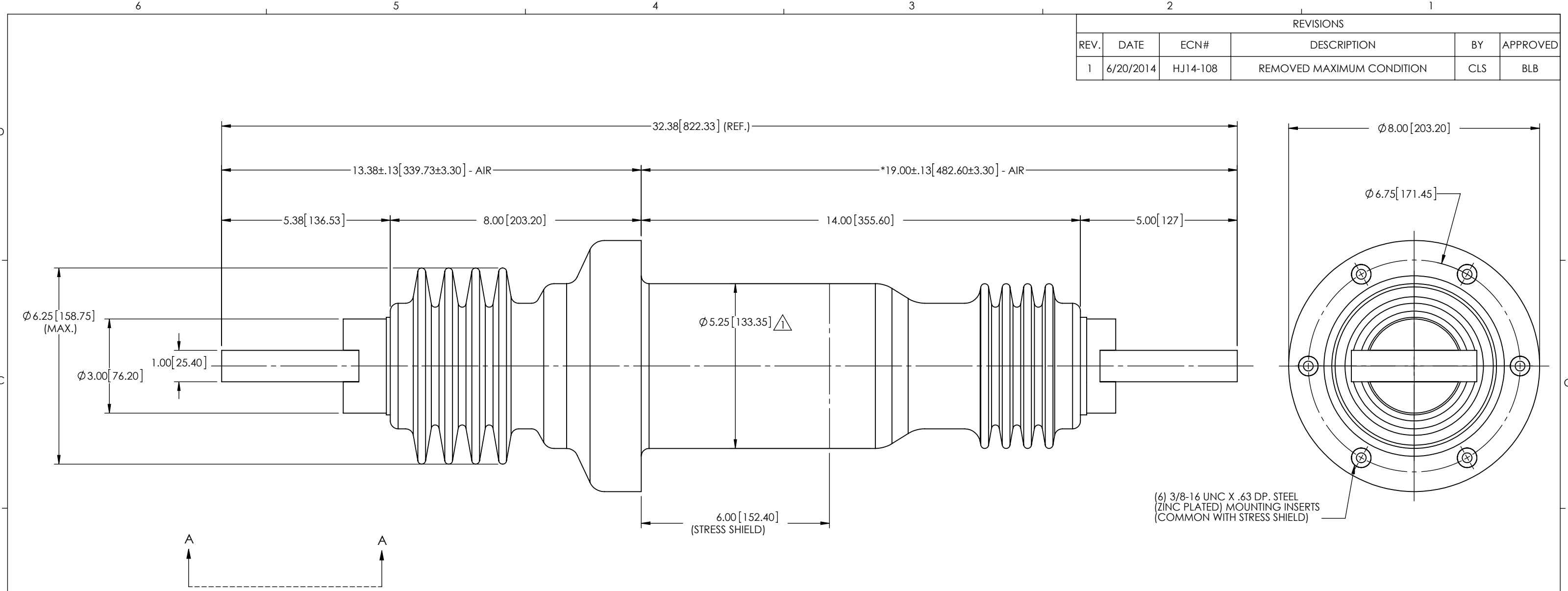


REVISIONS					
REV.	DATE	ECN#	DESCRIPTION	BY	APPROVED
1	6/20/2014	HJ14-108	REMOVED MAXIMUM CONDITION	CLS	BLB



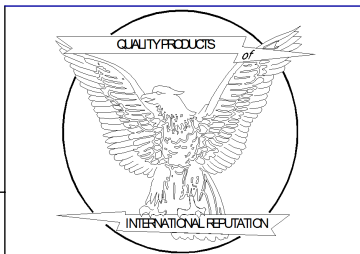
- NOTES:**  
1. ALL CONTACT SURFACES TO BE CLEAN & FREE FROM FLASH
- MATERIAL:**  
1. E07 - CYCLOALIPHATIC EPOXY (U.V. EXPOSED), COLOR: GREY  
2. HD ETP COPPER C11000, TIN PLATED - CONDUCTOR
- SPECIFICATIONS:**  
1. MANUFACTURED IN ACCORDANCE WITH ..... IEC 137-1995, CAN/CSA-C88.1-96, IEEE C57.19.01-1991
2. RATED VOLTAGE ..... 15kV  
3. POWER FREQUENCY WITHSTAND ..... 50kV  
4. BASIC IMPULSE LEVEL ..... 110kV  
5. NOMINAL CURRENT RATING ..... 4000 AMPS  
6. TEMPERATURE CLASSIFICATION..... -50 °C TO +105 °C  
7. APPROXIMATE WEIGHT ..... 88 LBS

**PROPRIETARY AND CONFIDENTIAL**  
THE INFORMATION CONTAINED IN THIS DRAWING IS THE SOLE PROPERTY OF H-J INTERNATIONAL, INC. ANY REPRODUCTION IN PART OR AS A WHOLE WITHOUT THE WRITTEN PERMISSION OF H-J INTERNATIONAL, INC. IS STRICTLY PROHIBITED.

**BREAK ALL SHARPS UNLESS OTHERWISE NOTED**

**TOLERANCES (EXCEPT AS NOTED)**

ONE PLACE MM	±1.50
TWO PLACE MM	±0.75
TWO PLACE DEC.	±.060
THREE PLACE DEC.	±.030
FRACTIONS	± 1/16"
ANGLES	2°



APPROVED BY	DB	DATE	9-14-04
CHECKED BY	BS	DATE	06/20/14
DRAWN BY	DB	DATE	9-13-04
TOOL NO.	T20-200-8		
PRODUCT GRP.	2000 SERIES		

**H-J INTERNATIONAL, INC.**  
3010 HIGH RIDGE BLVD, HIGH RIDGE, MO. 63049 USA  
PHONE 1-636-677-3421 FAX 1-636-376-1915

**15kV / 4000A**  
**POWER APPARATUS BUSHING**

DRAWING NO. **20-200-800**

SCALE	1:3	SIZE	B	REV.	1	SHEET	1	OF	1
-------	-----	------	---	------	---	-------	---	----	---